

- Create a folder named *superior_frm* on a memory stick (control unit will search for this folder)
- Put file *SPR0_X_X.cab* in this folder
- Insert USB memory stick in USB connection Brain ('B' on figure 1)
- Go to 'menu' (see figure 2)
- Go to 'Software upgrade' ('New software available'; see figure 3)
 - Note:* 'New software available' might not be visible going to the menu. But pressing on 'Software upgrade' will show the display as shown in figure 4.
- Press 'Install' (see figure 4)
- Wait for upgrading (see figure 5)
- After upgrading is finished, unit will go to Home.
- Put the unit into 'standby' (or the status is already 'standby').
- The HV module will be upgraded automatically: display is showing 'HV module upgrading' (figure 7)
- After upgrading, the unit will go back to 'standby' (like in figure 6)
- Check Software version: this should be the same as the downloaded version. (figure 8)

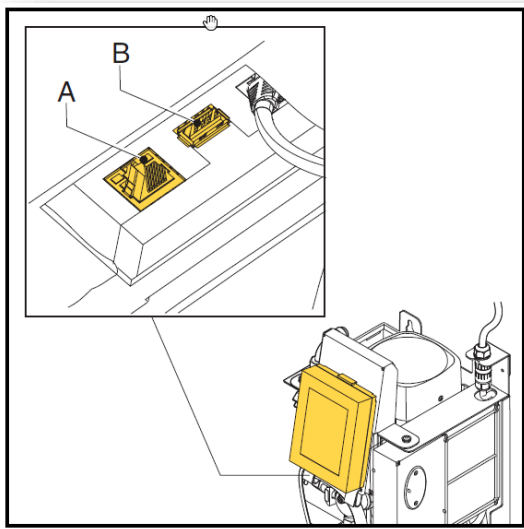


Figure 1

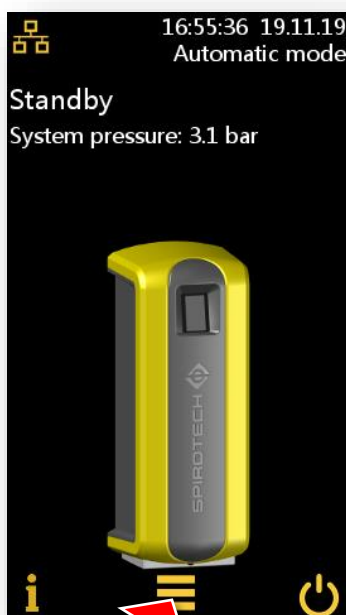


Figure 2

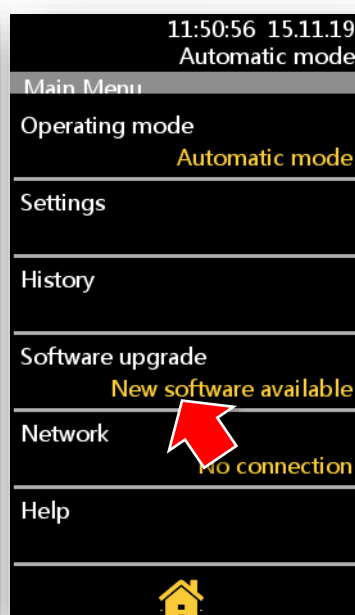


Figure 3

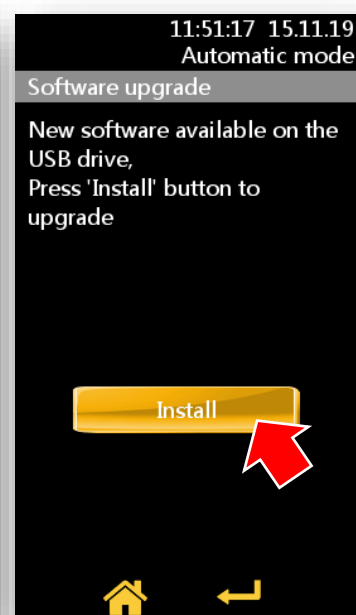


Figure 4

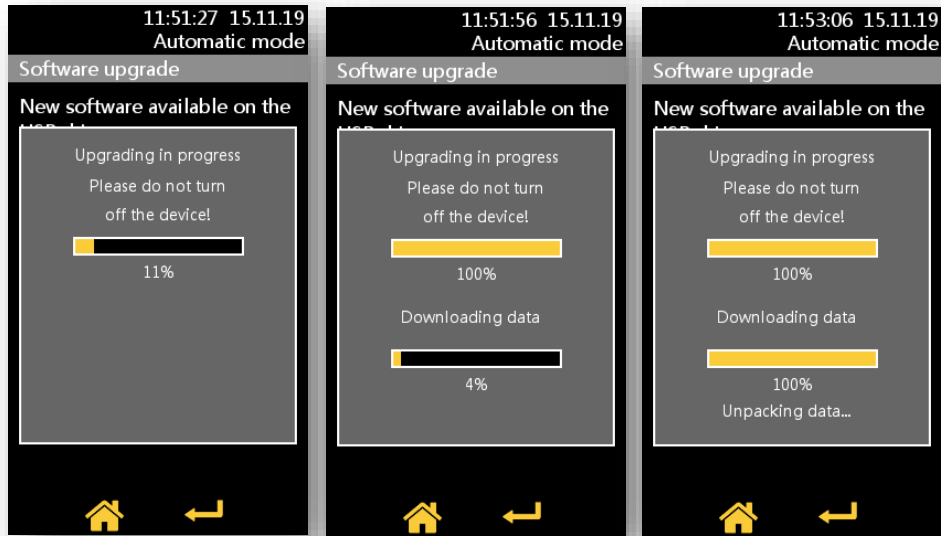


Figure 5



Figure 6



Figure 7



Figure 8