
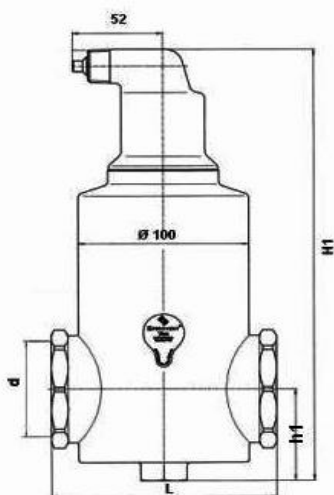


SPIROTECH SPECIFICATION SHEET		SPIROTECH 	
Version 16.1 / BDB			
Product: SpiroVent deaerator 2" Threated fitting		Type: AA200	
Customer:			
Project:		Date: 16-3-2016	
Reference:			
Design criteria		Drawing:	
Medium:	Water / glycol (max 50%)		
Max. flow velocity:	1,0 m/s		
Max. flow rate:	7,50 m3/h		
Max. pressure:	10 bar-g		
Max. temperature:	110 °C		
Design standard:	EN 13445		
Testing and quality assurance			
Leakage test:	yes		
Test certificate:	no		
Design and manufacturing acc. 97/23/EC:	yes		
Material certificates (structural parts):	no		
Drawing:	no		
Construction materials		Dimensions:	
Body:	Brass	d	2" mm
Deaeration cap:	Brass	H1	275 mm
Valve sealing:	Viton	h1	58 mm
Float:	PP	L	132 mm
Spirotube Tube:	S235 JR G2 (St.37)		
Wire:	Copper		
Solder:	Tin(SnCu3)		
		Volume:	1,1 ltr
		Dry weight (approx):	3,9 kg
Subject to changes			