
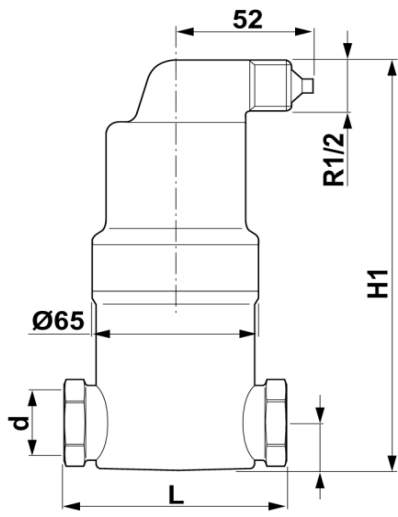


<b>SPIROTECH SPECIFICATION SHEET</b>		<b>SPIROTECH</b> 	
Version 16.1 / BDB			
Product: SpiroVent special 1½" Threated fitting		Type: AA150-025	
Customer:			
Project:		Date: 16-3-2016	
Reference:			
<b>Design criteria</b>		<b>Drawing:</b>	
Medium: Water / glycol (max 50%)			
Max. flow velocity: 1 m/s			
Max. flow rate: 5,00 m3/h			
Max. pressure: 25 bar-g			
Max. temperature: 150 °C			
Design standard: EN 13445			
<b>Testing and quality assurance</b>			
Leakage test: yes			
Test certificate: no			
Design and manufacturing acc. 97/23/EC: yes			
Material certificates (structural parts): no			
Drawing: no			
<b>Construction materials</b>		<b>Dimensions:</b>	
Body: Brass		d 1½"	
Deaeration cap: Brass		H1 256 mm	
Valve sealing: Viton		h1 42 mm	
Float: TPX		L 88 mm	
Spirotube Tube: Copper			
Wire: Copper			
Solder: Tin(SnCu3)			
		Volume: 0,32 ltr	
		Dry weight (approx): 1,9 kg	
Subject to changes			