
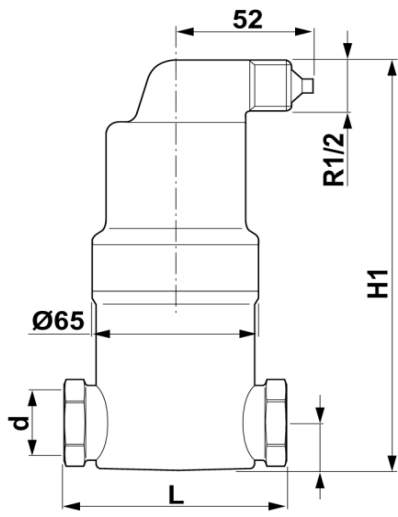


SPIROTECH SPECIFICATION SHEET		SPIROTECH 	
Version 16.1 / BDB			
Product: SpiroVent special 1" Threated fitting		Type: AA100-025	
Customer:			
Project:		Date: 16-3-2016	
Reference:			
Design criteria		Drawing:	
Medium: Water / glycol (max 50%)			
Max. flow velocity: 1 m/s			
Max. flow rate: 2,00 m3/h			
Max. pressure: 25 bar-g			
Max. temperature: 150 °C			
Design standard: EN 13445			
Testing and quality assurance			
Leakage test: yes			
Test certificate: no			
Design and manufacturing acc. 97/23/EC: yes			
Material certificates (structural parts): no			
Drawing: no			
Construction materials		Dimensions:	
Body: Brass		d 1" mm	
Deaeration cap: Brass		H1 202 mm	
Valve sealing: Viton		h1 35 mm	
Float: TPX		L 88 mm	
Spirotube Tube: Copper			
Wire: Copper			
Solder: Tin(SnCu3)			
		Volume: 0,21 ltr	
		Dry weight (approx): 1,6 kg	
Subject to changes			