

SPIROTECH SPECIFICATION SHEET



Product: Insulation Set
Universal
Trap/Universal Vent

Type: TUR125
Date: 11/19/2019

Customer:

Project:

Reference:

Design criteria

Suitable for: UE125WJ, UA125W

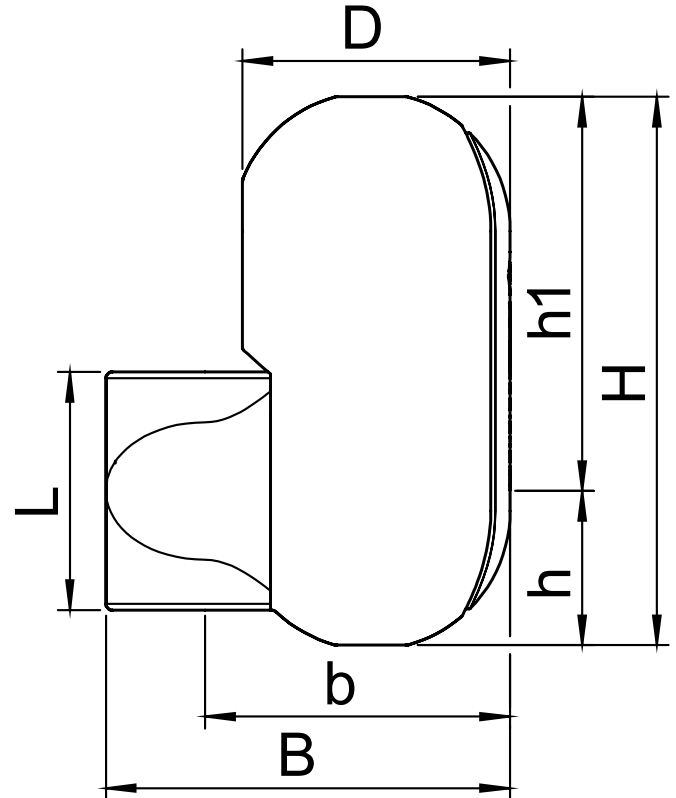
Testing and quality assurance

According to EnEV: yes
According to B2 (DIN 4102): yes
According to E (EN 13501-1): yes

Construction materials

Body: EPP
Color: Black

Drawing



Dimensions

H:	387 mm
h:	93 mm
h1:	293 mm
L:	170 mm
D:	164 mm
B:	234 mm
b:	177 mm

Dry weight (approx) 0.3 kg

Subject to changes