

# Product data sheet Spirotech

Product name

**Insulation SpiroTop AB050**

Product properties

The SpiroTop deaerator can be fully enclosed with a prefabricated insulation shell, made of expanded polypropylene. They encase the relevant components, including the pipe connection, to secure optimal insulation.

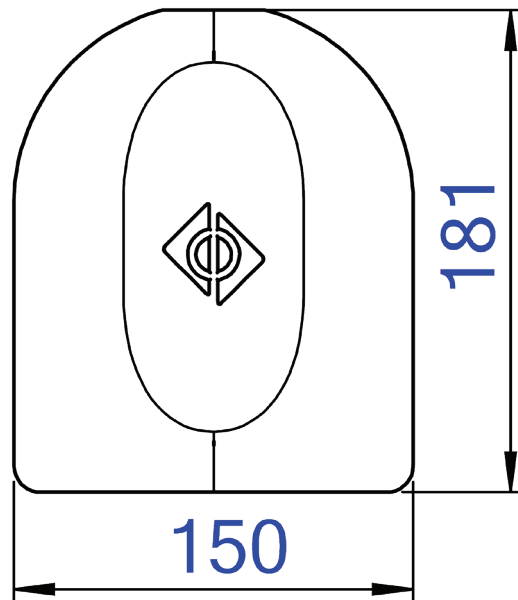
Article number

**TAB050**

Product image



Product dimensions



# Product data sheet Spirotech

## ETIM product data

Height	181 mm
Material insulation	Expanded polypropylene (EPP)
Material casing	Other

Temperature protected till	110 °C
Colour	Black
Diameter	150 mm

### Disclaimer

This product sheet has been compiled with the greatest possible care. Nevertheless, it may contain errors or omissions. For the most current and correct information we refer you to our website.

