

Product data sheet Spirotech

Product name

SpiroVent RV2 -1½" -Uni

Product properties

A brass (microbubble) deaerator with a 22 mm - 2" universal connection

- Removes all circulating air and micro bubbles effectively
- Removes trapped air when installed at the correct location
- Greatly reduces the need for manual venting
- Applicable with 50/50 Glycol / Water (Volume)
- Constant low-pressure drop
- No unnecessary shutdown
- Connection diameters from 22 mm to 2" (G2)
- Exceptional guarantee

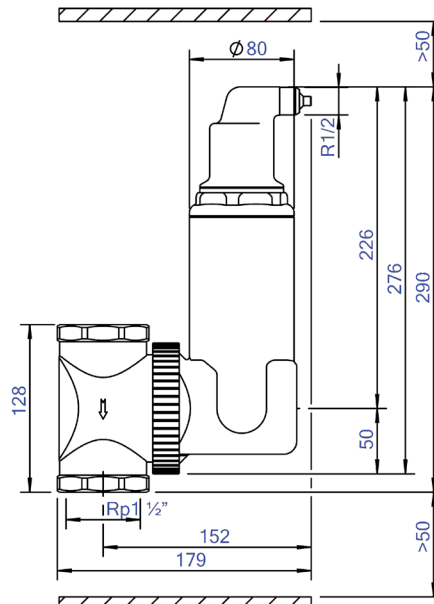
Article number

UA150W

Product image



Product dimensions



Product data sheet Spirotech

ETIM product data

Housing material	Brass	Construction length	128 mm
With drain tap	No	Article compression class	PN 10
Housing material quality	Other	Surface protection	Untreated
Backwash filter	No	Suitable for open system	No
Medium temperature (continuous)	0 - 110 °C	Suitable for closed system	Yes
Max. operating pressure	10 bar	Suitable for solar	No
Kvs value	24.9 m ³ /h	With dismountable filter	No
Variable flow direction	Yes	Filter volume	1.16 l
With insulation	No	Magnet operating principle	No
Separator type	Air	With automatic de-aerator	Yes
Connection	Internal thread cylindrical BSPT-Rp (ISO 7-1 / EN 10226-1)	With couplers	No
Model	Horizontal/vertical	Inlet/outlet offset distance	0 mm
Nominal diameter	1 1/2 inch (40)	Material of connection	Brass
Max. glycol mixture	50 %	Material quality connection	Other
Suitable for heating	Yes	Flow-through capacity	0 - 5 m ³ /h
Suitable for cooling	Yes		

Disclaimer

This product sheet has been compiled with the greatest possible care. Nevertheless, it may contain errors or omissions. For the most current and correct information we refer you to our website.

