

Product data sheet Spirotech

Product name

SpiroVent RV2 -1¼" -Uni

Product properties

A brass (microbubble) deaerator with a 22 mm - 2" universal connection

- Removes all circulating air and micro bubbles effectively
- Removes trapped air when installed at the correct location
- Greatly reduces the need for manual venting
- Applicable with 50/50 Glycol / Water (Volume)
- Constant low-pressure drop
- No unnecessary shutdown
- Connection diameters from 22 mm to 2" (G2)
- Exceptional guarantee

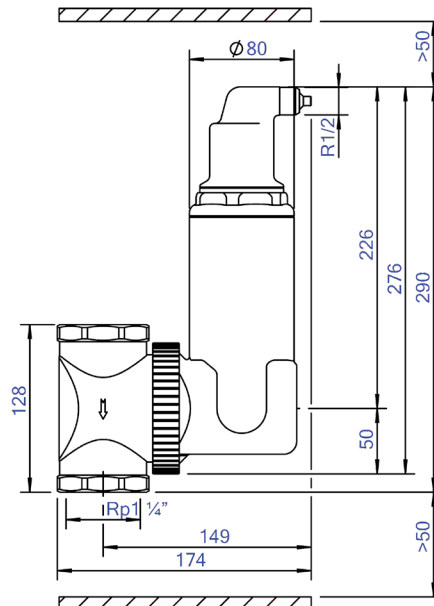
Article number

UA125W

Product image



Product dimensions



Product data sheet Spirotech

ETIM product data

| | | | |
|---------------------------------|--|------------------------------|---------------------------|
| Housing material | Brass | Construction length | 128 mm |
| With drain tap | No | Article compression class | PN 10 |
| Housing material quality | Other | Surface protection | Untreated |
| Backwash filter | No | Suitable for open system | No |
| Medium temperature (continuous) | 0 - 110 °C | Suitable for closed system | Yes |
| Max. operating pressure | 10 bar | Suitable for solar | No |
| Kvs value | 22.6 | With dismountable filter | No |
| Variable flow direction | Yes | Filter volume | 1.12 l |
| With insulation | No | Magnet operating principle | No |
| Separator type | Air | With automatic de-aerator | Yes |
| Connection | Internal thread cylindrical BSPT-Rp (ISO 7-1 / EN 10226-1) | With couplers | No |
| Model | Horizontal/vertical | Inlet/outlet offset distance | 0 mm |
| Nominal diameter | 1 1/4 inch (32) | Material of connection | Brass |
| Max. glycol mixture | 50 % | Material quality connection | Other |
| Suitable for heating | Yes | Flow-through capacity | 0 - 3.6 m ³ /h |
| Suitable for cooling | Yes | | |

Disclaimer

This product sheet has been compiled with the greatest possible care. Nevertheless, it may contain errors or omissions. For the most current and correct information we refer you to our website.

