

Product data sheet Spirotech

Product name

SpiroVent RV2 -22mm -Uni

Product properties

A brass (microbubble) deaerator with a 22 mm - 2" universal connection

- Removes all circulating air and micro bubbles effectively
- Removes trapped air when installed at the correct location
- Greatly reduces the need for manual venting
- Applicable with 50/50 Glycol / Water (Volume)
- Constant low-pressure drop
- No unnecessary shutdown
- Connection diameters from 22 mm to 2" (G2)
- Exceptional guarantee

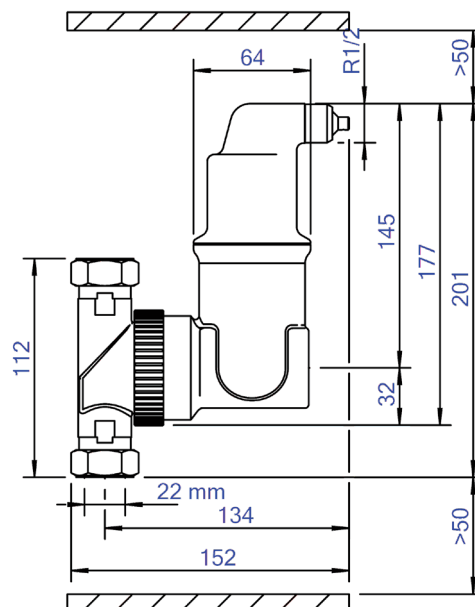
Article number

UA022W

Product image



Product dimensions



Product data sheet Spirotech

ETIM product data

Housing material	Brass
With drain tap	No
Housing material quality	Other
Backwash filter	No
Medium temperature (continuous)	0 - 110 °C
Max. operating pressure	10 bar
Kvs value	9.07 m ³ /h
Variable flow direction	Yes
With insulation	No
Separator type	Air
Connection	Compression ring
Model	Horizontal/vertical
Nominal diameter	Other
Max. glycol mixture	50 %
Suitable for heating	Yes
Suitable for cooling	Yes

Outer pipe diameter	22 mm
Construction length	112 mm
Article compression class	PN 10
Surface protection	Untreated
Suitable for open system	No
Suitable for closed system	Yes
Suitable for solar	No
With dismountable filter	No
Filter volume	0.18 l
Magnet operating principle	No
With automatic de-aerator	Yes
With couplers	Yes
Inlet/outlet offset distance	0 mm
Material of connection	Brass
Material quality connection	Other
Flow-through capacity	0 - 1.3 m ³ /h

Disclaimer

This product sheet has been compiled with the greatest possible care. Nevertheless, it may contain errors or omissions. For the most current and correct information we refer you to our website.

