

Product data sheet Spirotech

Product name

SpiroVent Superior S16A -Refill -Insul

Product properties

A fully automatic vacuum degasser for closed heating, cooling and process systems with a pressure between 9 and 16 bar.

I: insulated

R: with direct refill

- Applicable for systems with pressures between 9 & 16 bar
- Removes all gases, free air, microbubbles and dissolved gases
- Absorptive fluid ensures the removal of trapped gas bubbles
- Easy installation, reducing commissioning and handover
- Energy-efficient whilst still achieving the lowest possible gas concentration thanks to SmartSwitch
- Degassed (re)filling and sustained pressure
- Warns before (re)filling becomes excessive
- Can team up with all common expansion systems
- The B and R versions have an integrated automatic refill system
- Two-year guarantee

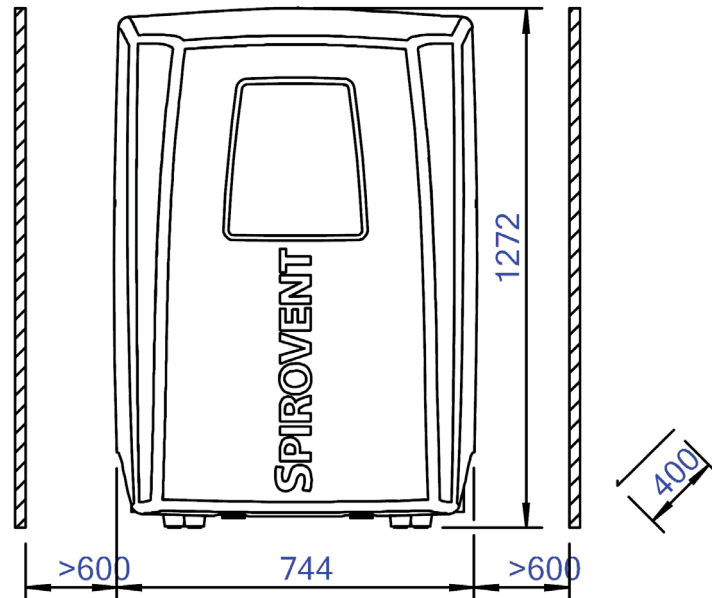
Article number

MA16R50I

Product image



Product dimensions



Product data sheet Spirotech

ETIM product data

Height	1272 mm	Sound pressure level	57 dB(A)
With insulation	Yes	Ambient temperature	0 - 40 °C
Max. glycol mixture	40 %	Degree of protection (IP)	IPX4D
Article compression class	PN 25	Operating pressure	9 - 16 bar
Suitable for closed system	Yes	With backflow safeguard	No
Max. installation content	300000 l	LAN connection	No
Width	744 mm	Max. electric power input	2.25 kW
Depth	400 mm	Wi-Fi	No
Connection voltage	360 - 440 V	With communication interface RS-485	No
Max. flow rate	1000 l/h	Communication interface inverter MOD-Bus	No
Connection size inlet	3/4 inch	Bluetooth	No
Connection inlet	External thread cylindrical BSPP-G (ISO 228-1)	Supporting protocol for BACnet	No
Connection size outlet	3/4 inch	Potential free switch contact	Yes
Connection outlet	External thread cylindrical BSPP-G (ISO 228-1)	Touchscreen operation	No
Connection size refill/top-up	3/4 inch	Remote controllable function	Yes
Connection type refill/top-up	Internal thread cylindrical BSPP-G (ISO 228-1)	Nominal current	4.3 A
Frequency	50 Hz		

Disclaimer

This product sheet has been compiled with the greatest possible care. Nevertheless, it may contain errors or omissions. For the most current and correct information we refer you to our website.

