

Product data sheet Spirotech

Product name

SpiroPure ProClean 23.0

Product properties

The SpiroPure ProClean products are mobile cleaning and conditioning units. They are temporarily installed in an existing heating or cooling system.

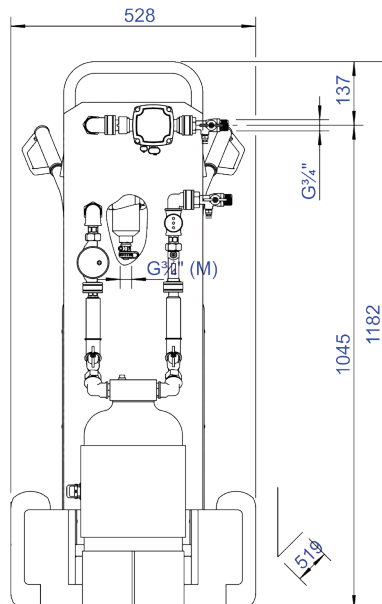
Article number

G76.362

Product image



Product dimensions



Product data sheet Spirotech

ETIM product data

Height	1182 mm
Max. operating pressure	8 bar
With insulation	No
With drain funnel	No
With pressure reducer	No
Size of cartridge	23 l
Suitable for softening	Yes
Max. temperature at the inlet	80 °C
Max. temperature at the outlet	80 °C
Suitable for full demineralization	Yes
Connections	External thread conical BSPT-R (ISO 7-1 / EN 10226-1)
Suitable for pH value stabilization	Yes
With pressure gauge	No

Suitable for fixed installation	No
Suitable for mobile use	Yes
Nominal diameter	3/4 inch (20)
With filter	No
With de-aerator	No
With automatic filling function	No
Filling capacity	1200 l/h
Width	528 mm
Depth	519 mm
Pressure	1 - 8 bar
Suitable for membrane pressure expansion tank	Yes
Suitable for compressor-controlled automatic expansion unit	No

Disclaimer

This product sheet has been compiled with the greatest possible care. Nevertheless, it may contain errors or omissions. For the most current and correct information we refer you to our website.

