

Product data sheet Spirotech

Product name

SpiroCombi -DN100 -Flange -HiFlow

Product properties

A steel (microbubble) deaerator and dirt separator for high flow rate (3 m/s) with a DN50 - DN300 PN16 flange connection

- Applicable for high flow rate systems (3 m/s)
- Applicable with 50/50 Ethylene Glycol / Water (Volume)
- Combined separation system - removes circulating air and microbubbles effectively
- Improve cost control and energy efficiency
- Very small particles, from 5 μm (= 0.005 mm), are separated and removed
- Dirt can be discharged while the system is in operation
- No shut-off valves or bypass required
- Constant low pressure drop
- PN16 flange connections
- Connection diameters from DN50 - DN300, larger connection diameters on request
- Exceptional guarantee

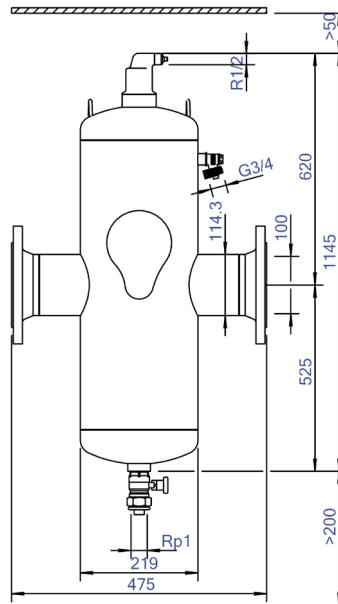
Article number

HC100F

Product image



Product dimensions



Product data sheet Spirotech

ETIM product data

| | | | |
|---------------------------------|-------------------------|------------------------------------|--------------------------|
| Housing material | Steel | Construction length | 475 mm |
| With drain tap | Yes | Article compression class | PN 10 |
| Housing material quality | St 37 (1.0254) | Surface protection | Lacquered |
| Backwash filter | No | Suitable for open system | No |
| Medium temperature (continuous) | 0 - 110 °C | Suitable for closed system | Yes |
| Max. operating pressure | 10 bar | Suitable for solar | No |
| Kvs value | 244.8 m ³ /h | With dismountable filter | No |
| Variable flow direction | Yes | Filter volume | 37 l |
| With insulation | No | Magnet operating principle | No |
| Separator type | Air/dirt | With automatic de-aerator | Yes |
| Connection | Flange | Cleaning possible during operation | Yes |
| Model | Horizontal | With couplers | No |
| Nominal diameter | DN 100 | Inlet/outlet offset distance | 0 mm |
| Max. glycol mixture | 50 % | Material of connection | Steel |
| Suitable for heating | Yes | Flow-through capacity | 0 - 94 m ³ /h |
| Suitable for cooling | Yes | Flange standard | DIN |

Disclaimer

This product sheet has been compiled with the greatest possible care. Nevertheless, it may contain errors or omissions. For the most current and correct information we refer you to our website.

