

# Product data sheet Spirotech

## Product name

**EMCK Solo 300L max 8,1bar**

## Product properties

The MultiControl Kompakt SOLO is an automatic expansion and pressure-maintaining device, with 1 pump (1x 100%) and an overflow valve. An unpressurised expansion tank is integrated.

- contains 1 pump (1x 100%)
- contains 1 overflow valve (1x 100%)
- Operational pressure range up to 8.1 bar
- Comes with 5 possible vessel volumes: 75, 125, 200, 300 or 500 liters
- Two further vessels can be added.
- Maximum expansion volume: 75 – 1,500 litres
- The maximum temperature at the point of connection: 70°C (over 70°C possible with auxiliary tank)
- Maximum safety temperature in the system: 110°C
- Maximum operating pressure (PN): 10 bar

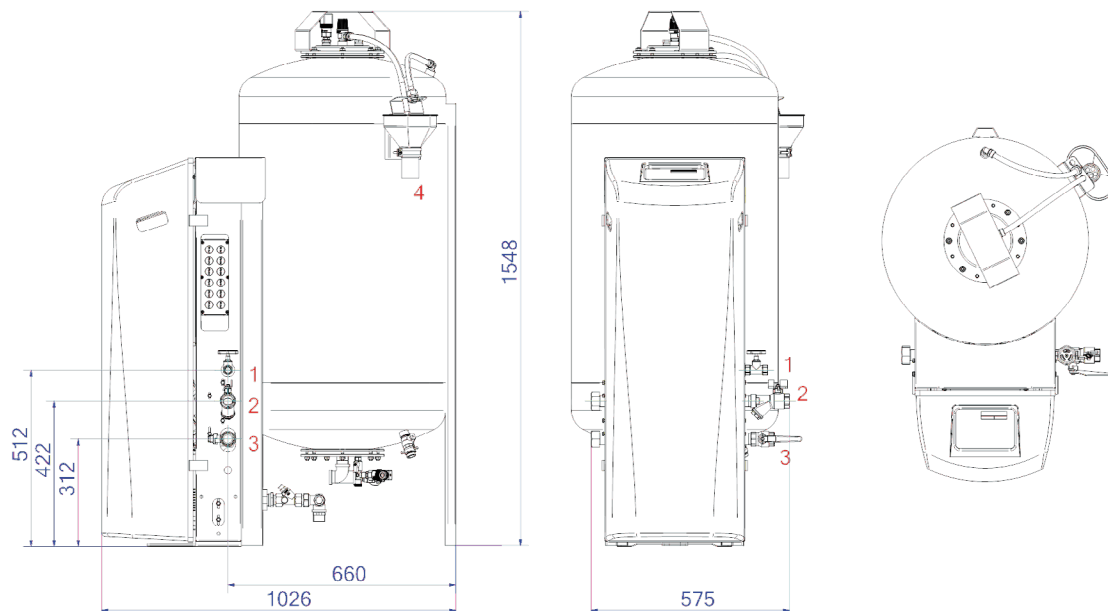
## Article number

**EMCK-S300-8.1**

## Product image



## Product dimensions



1. Refill connection

Rp1/2

2. Expansion overflow pipe

Rp1

3. Expansion pressure pipe

Rp1

4. Drain funnel tank safety valve

DN50 Geberit

# Product data sheet Spirotech

## ETIM product data

Height	1577 mm	Double pump/compressor unit	No
Volume	300 l	With exchangeable membrane	Yes
Diameter	600 mm	Compressor in base	No
Max. operating pressure	8.1 bar	Nominal diameter expansion connection	1 inch (25)
Connection	Other	Max. medium temperature (continuous)	70 °C
Power consumption	0.6 kW	For cooling systems up to	20 MW
Couplable	Yes	Outer pipe diameter, expansion connection	33.7 mm
Electrical connection	Connection cable with plug	For heating systems up to	2.4 MW
Function master/slave	No	Horizontal positioning	No
With pressure expansion vessel	Yes	Connection voltage	230 V
Digital control unit	Yes	Article compression class	PN 10

### Disclaimer

This product sheet has been compiled with the greatest possible care. Nevertheless, it may contain errors or omissions. For the most current and correct information we refer you to our website.

