

# Product data sheet Spirotech

## Product name

**SpiroVent Solar -22mm -Hor -AutoClose -HighT**

## Product properties

A brass (microbubble) deaerator - Autoclose for Solar & high-temperature systems (max. 180 °C) with a 22 mm - 1½" horizontal connection

- Specially developed for Solar (high temperature & pressure) installations
- Applicable with max. 20% - 50% Ethylene Glycol and water (Volume)
- Removes microbubbles, circulating and trapped air
- Greatly reduces commissioning times
- Minimal constant pressure drop
- No unnecessary shutdown
- Long lasting valve seat
- Connection diameters from 22 mm to 1½" (G1½)
- Prevents stagnation
- Solar fluid will not prematurely degenerate
- System will not boil dry via the deaerator
- No more climbing the roof to deaerate
- Permanent air-free, efficient installation
- Suitable for new and existing installations

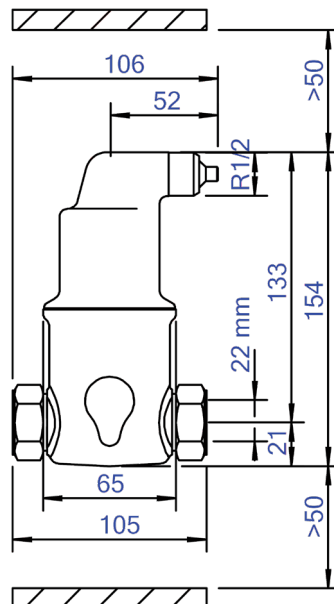
## Article number

**AA022FBA08**

## Product image



## Product dimensions



# Product data sheet Spirotech

## ETIM product data

Housing material	Brass
With drain tap	No
Housing material quality	Other
Backwash filter	No
Medium temperature (continuous)	0 - 180 °C
Max. operating pressure	10 bar
Kvs value	10.96 m <sup>3</sup> /h
Variable flow direction	Yes
With insulation	No
Separator type	Air
Connection	Compression ring
Model	Horizontal
Nominal diameter	Other
Max. glycol mixture	50 %
Suitable for heating	No
Suitable for cooling	No

Outer pipe diameter	22 mm
Construction length	105 mm
Article compression class	PN 10
Surface protection	Untreated
Suitable for open system	No
Suitable for closed system	Yes
Suitable for solar	Yes
With dismountable filter	No
Filter volume	0.18 l
Magnet operating principle	No
With automatic de-aerator	Yes
With couplers	Yes
Inlet/outlet offset distance	0 mm
Material of connection	Brass
Material quality connection	Other
Flow-through capacity	0 - 1.3 m <sup>3</sup> /h

### Disclaimer

This product sheet has been compiled with the greatest possible care. Nevertheless, it may contain errors or omissions. For the most current and correct information we refer you to our website.

