

# Product data sheet Spirotech

## Product name

**SpiroVent -1½" -Hor**

## Product properties

A brass (microbubble) deaerator with a 22 mm - 2" horizontal connection

- Removes all circulating air and microbubbles effectively
- Applicable with 50/50 Glycol / Water (Volume)
- Removes trapped air when installed at the correct location
- Greatly reduces the need for manual venting
- Constant low-pressure drop
- No unnecessary shutdown
- Connection diameters from 22 mm to 2" (G2)
- Exceptional guarantee

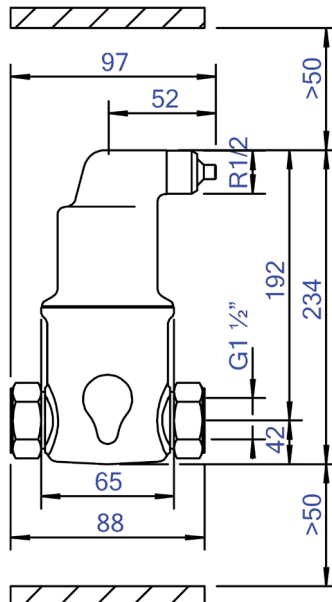
## Article number

**AA150**

## Product image



## Product dimensions



# Product data sheet Spirotech

## ETIM product data

Housing material	Brass	Construction length	88 mm
With drain tap	No	Article compression class	PN 10
Housing material quality	Other	Surface protection	Untreated
Backwash filter	No	Suitable for open system	No
Medium temperature (continuous)	0 - 110 °C	Suitable for closed system	Yes
Max. operating pressure	10 bar	Suitable for solar	No
Kvs value	43.85 m <sup>3</sup> /h	With dismountable filter	No
Variable flow direction	Yes	Filter volume	0.32 l
With insulation	No	Magnet operating principle	No
Separator type	Air	With automatic de-aerator	Yes
Connection	Internal thread cylindrical BSPP-G (ISO 228-1)	With couplers	Yes
Model	Horizontal	Inlet/outlet offset distance	0 mm
Nominal diameter	1 1/2 inch (40)	Material of connection	Brass
Max. glycol mixture	50 %	Material quality connection	Other
Suitable for heating	Yes	Flow-through capacity	0 - 5 m <sup>3</sup> /h
Suitable for cooling	Yes		

### Disclaimer

This product sheet has been compiled with the greatest possible care. Nevertheless, it may contain errors or omissions. For the most current and correct information we refer you to our website.

