

SPIROTECH SPECIFICATION SHEET



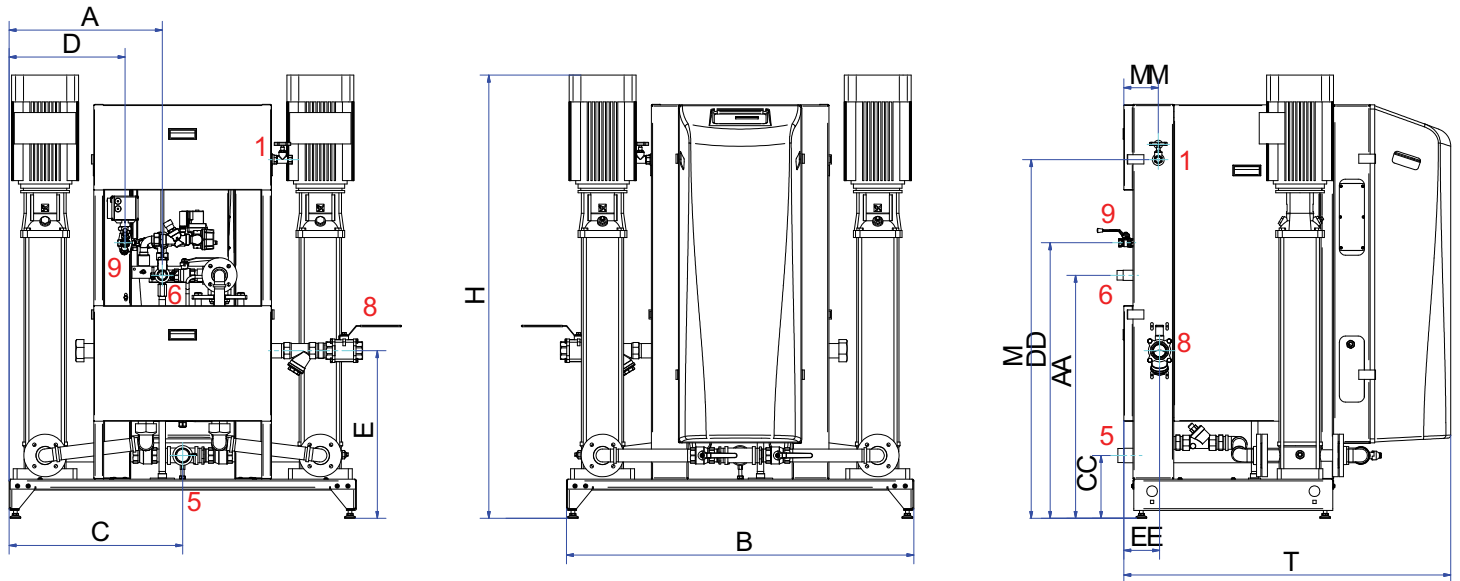
MultiControlModular M2-7.8

Customer:

Project:

Reference:

Type: **EMCM-M2-7.8**



Design criteria

Medium:	Water / glycol (max 40%)
Min. Pressure:	6.0 bar-g
Discharge:	7.8 bar-g
Max. pressure:	16.0 bar-g
Max. temperature:	70 °C
Ambient temperature:	0 - 40 °C
Refill fluid:	0 - 70 °C

Testing and quality assurance

Running test:	yes
Test medium:	Water
High voltage test:	yes
Test certificate:	no
CE-marking:	yes
Material certificates:	no

Construction materials

Fittings / pipes:	Copper/Brass
Pump:	AISI316
Main pump:	Vertical multistage 2 x 100%
Overflow valve(s)	1 x 100%
Casing:	Galvanised steel plate
Color:	Yellow (RAL 1003)

Power supply

Voltage:	[3x] 400V~/50Hz
Power consumption:	2.4 kW
Protection level:	IPX4D

Dimensions

Height:	1359 mm
Width:	965 mm
Depth:	835 mm
A	405 mm
AA	1075 mm
B	965 mm
C	482 mm
CC	180 mm
D	529 mm
DD	958 mm
E	630 mm
EE	118 mm
H	1359 mm
M	1179 mm
MM	114 mm
T	835 mm

Dry weight (approx): 167 kg

Connections

1. Refill	Rp1/2 Rp3/4
5. suction pipe	R5/4
6. overflow pipe	R1
8. Exp. pressure pipe	R6/4
9.	Rp1/2

Subject to changes