

SPIROTECH SPECIFICATION SHEET



Product: Rp^{3/4}" Threaded fitting

Type:

UA075W

Date:

11/19/2019

Customer:

Project:

Reference:

Design criteria

| | | |
|---------------------|--------------------------|-------------------|
| Medium: | Water / glycol (max 50%) | |
| Max. flow velocity: | 1 | m/s |
| Max. flow rate: | 1.30 | m ³ /h |
| Max. pressure: | 10 | bar-g |
| Max. temperature: | 110 | °C |
| Design standard: | EN 13445 | |

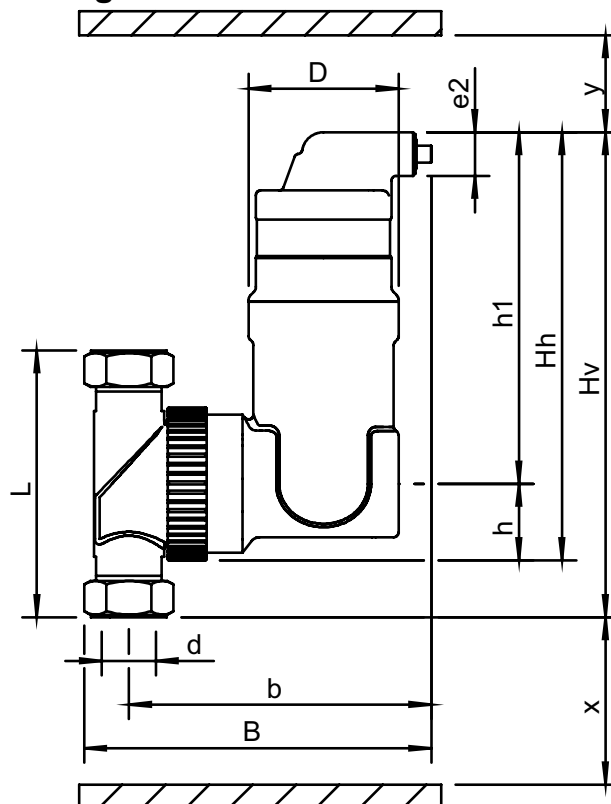
Testing and quality assurance

| | |
|---|-----|
| Leakage test: | no |
| Test certificate: | no |
| Design and manufacturing acc. 2014/68/EU: | yes |
| Material certificates (structural parts): | no |
| Drawing: | no |

Construction materials

| | |
|-------------------|------------|
| Body: | Brass |
| Deaeration cap: | Brass |
| Valve sealing: | Viton |
| Float: | PP |
| Spirotube Tube: | Copper |
| Spirotube Wire: | Copper |
| Spirotube Solder: | Tin(SnCu3) |

Drawing



Dimensions

| | |
|-----|---------------------|
| d: | Rp ^{3/4} " |
| h: | 32 mm |
| Hh: | 177 mm |
| Hv: | 195 mm |
| h1: | 145 mm |
| L: | 100 mm |
| D: | 62 mm |
| B: | 144 mm |
| b: | 127 mm |
| x: | >50 mm |
| y: | >50 mm |
| e2: | M4 |

Volume 0.38 ltr

Dry weight (approx) 1.6 kg

Subject to changes