

# SPIROTECH SPECIFICATION SHEET



Product: SpiroTrap Demountable  
DN150 Flanged end

Type:  
Date:

BF150F  
11/19/2019

Customer:

Project:

Reference:

## Design criteria

|                     |                          |                   |
|---------------------|--------------------------|-------------------|
| Medium:             | Water / glycol (max 50%) |                   |
| Nom. flow velocity: | 1.5                      | m/s               |
| Nom. flow rate:     | 108.0                    | m <sup>3</sup> /h |
| Max. pressure:      | 10                       | bar-g             |
| Max. temperature:   | 110                      | °C                |
| Δp at nom. flow:    | 4.9                      | kPa               |
| Design standard:    | EN 13445                 |                   |

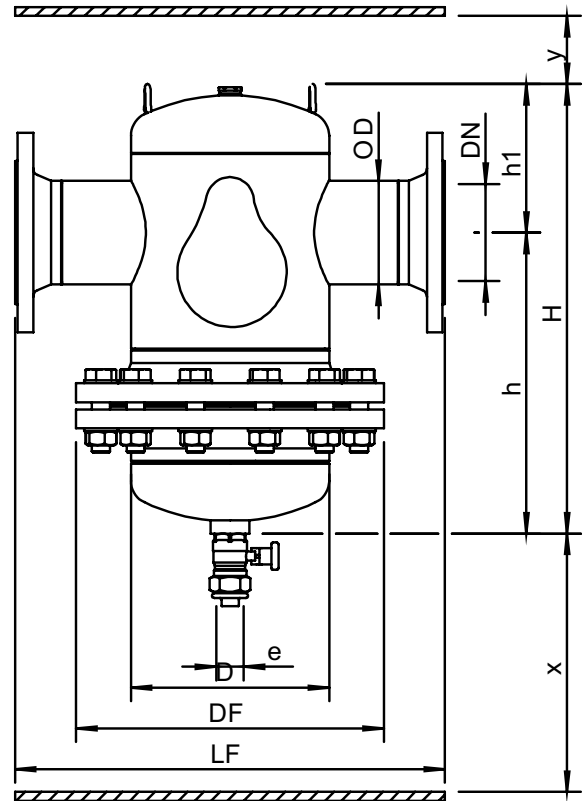
## Testing and quality assurance

|   |     |
|---|-----|
| Test pressure (bar):                      | 7   |
| Test medium:                              | Air |
| Test certificate:                         | no  |
| Design and manufacturing acc. 2014/68/EU: | yes |
| Material certificates (structural parts): | no  |
| Drawing:                                  | no  |
| Weld procedures:                          | no  |
| Nondestructive Testing (X-ray: 10%):      | no  |
| Notified body inspection:                 | no  |

## Construction materials

|                           |                    |
|---------------------------|--------------------|
| Body:                     | S235 JR G2 (St.37) |
| Connections:              | S235 JR G2 (St.37) |
| Fittings:                 | S235 JR G2 (St.37) |
| Flanges (EN 1092-1 PN16): | P250GH             |
| Flanges demountable:      | P250GH             |
| Flange packing:           | Novapress 815      |
| Heads:                    | S235 JR G2 (St.37) |
| Spirotube Tube:           | S235 JR G2 (St.37) |
| Spirotube Wire:           | Copper             |
| Spirotube Solder:         | Tin(SnCu3)         |
| Paint:                    | Standard           |
| Color:                    | Yellow (RAL 1003)  |
| Drain valve:              | Nickeled brass     |

## Drawing



## Dimensions

|     |          |
|-----|----------|
| DN: | 150      |
| OD: | 168.3 mm |
| H:  | 670 mm   |
| h:  | 460 mm   |
| h1: | 207 mm   |
| D:  | 324 mm   |
| DF: | 460 mm   |
| LF: | 635 mm   |
| e:  | Rp1      |
| x:  | >600 mm  |
| y:  | >50 mm   |

|                      |        |
|----------------------|--------|
| Volume:              | 50 ltr |
| Dry weight (approx): | 106 kg |

Subject to changes